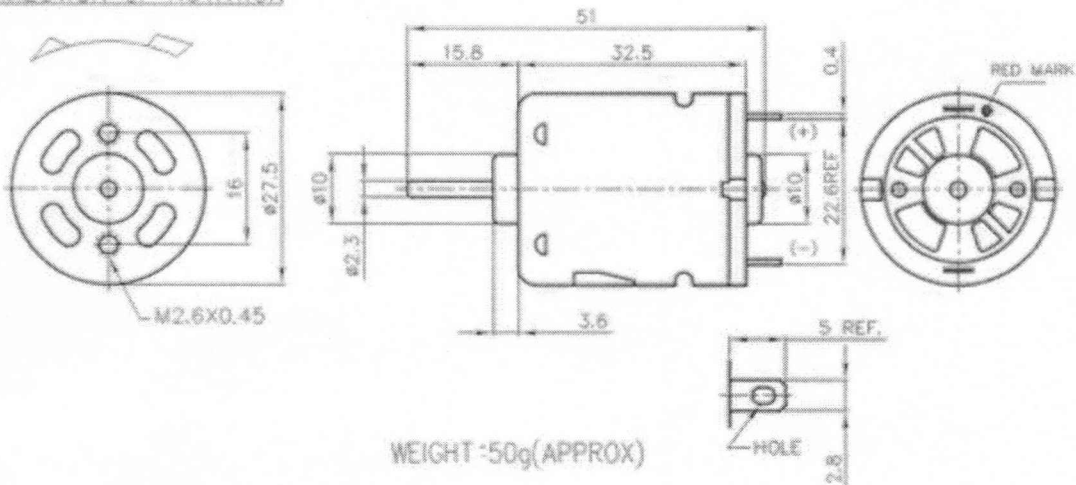




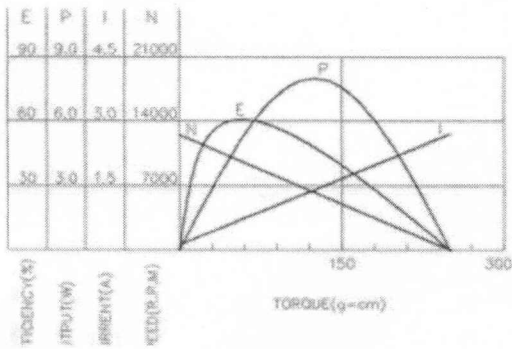
P/N	Model No.	Voltage		NO LOAD		AT MAXIMUM EFFICIENCY				STALL	
		Operating Range	Normal	Speed	Current	Speed	Current	Torque	Output	Current	Torque
		V	V	rpm	A	rpm	A	g.cm	W	A	g.cm
232040	MD5-2070	6.0-12	12.0	15700	0.30	12150	1.20	62.24	7.76	4.09	275
232022	MD5-1885	6.0-18	12.0	12500	0.20	9820	0.74	53.50	5.39	2.70	250
232013	MD5-12160	12.0-24.0	12.0	5600	0.12	4000	0.30	34.29	1.41	0.75	120

DIRECTION OF ROTATION

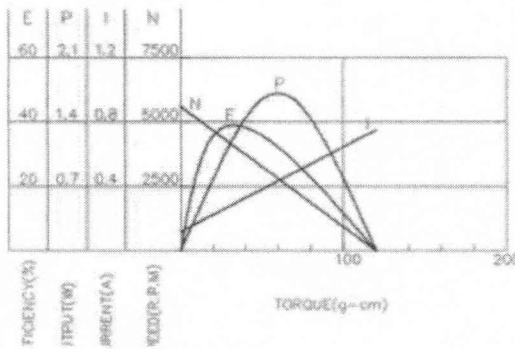


WEIGHT: 50g (APPROX)

MD5-1885 12.0V



MD5-12160 12.0V



Sinotech Shanghai
 Room 1404, 1759 North Zhongshan Road, Putuo District,
 Shanghai, China,